

**Name Plaque
(with mood sign)**



Trophy and trinket shelf

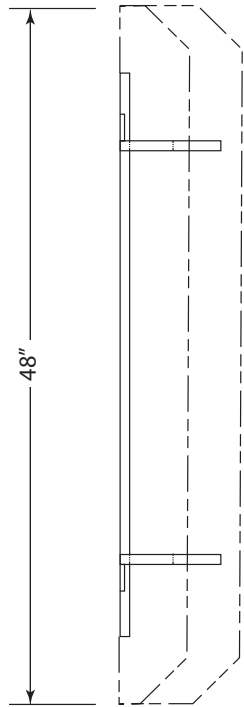
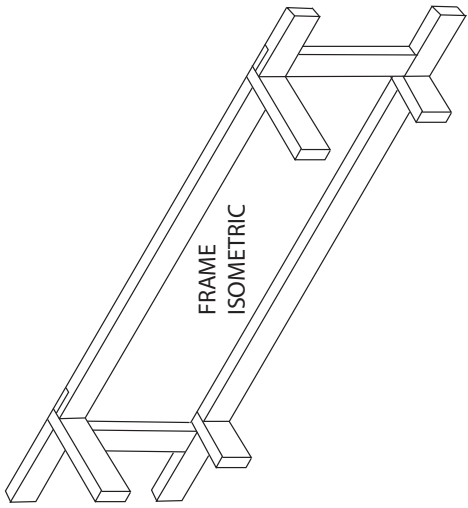


Basic Picture Frames

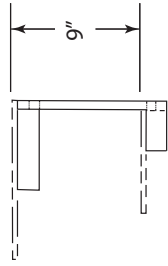
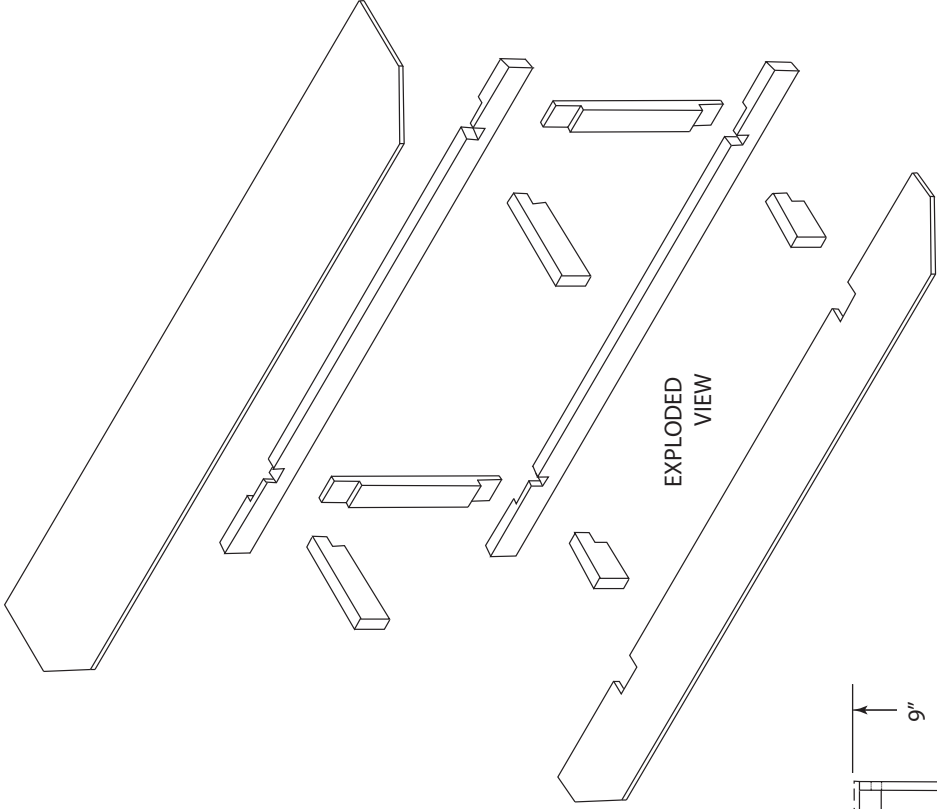
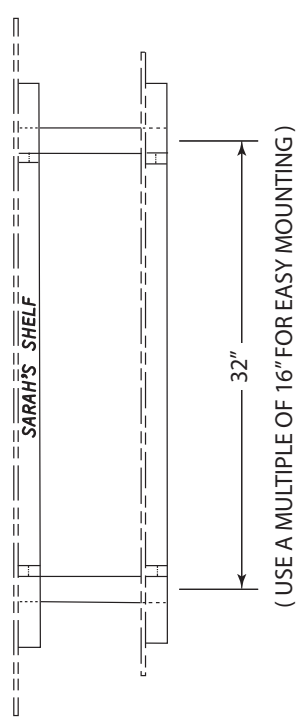


Easel

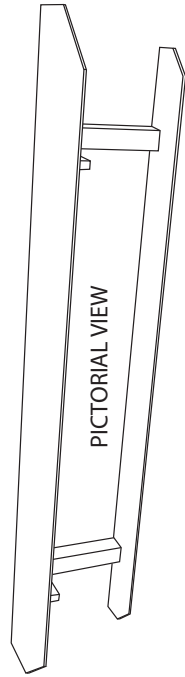




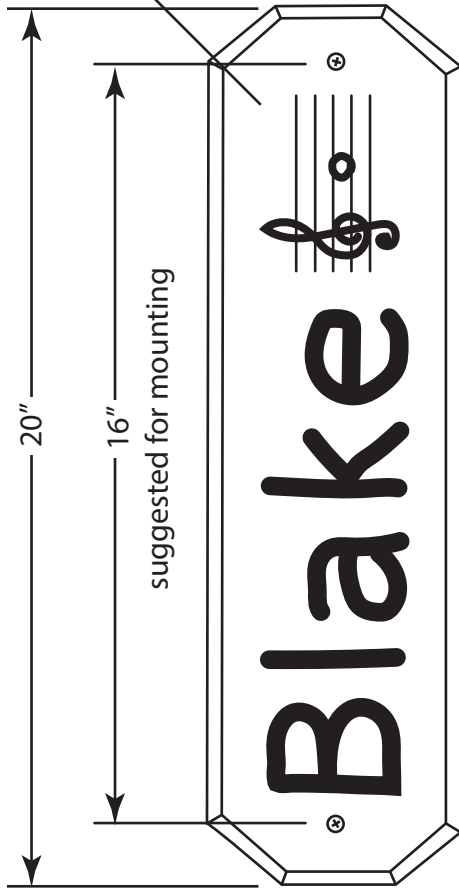
FRAME ORTHOGRAPHIC PROJECTION VIEWS



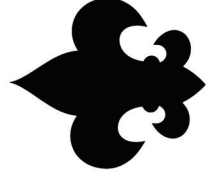
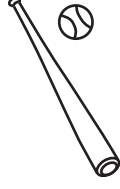
- NOTES:
- 1- DIMENSIONS SHOWN ARE WHAT I USED. NONE A CRITICAL.
 - 2- THIS DESIGN IS INTENTIONALLY VERY PLAIN. SCROLLING OR ROUTING EDGES CAN ADD A LOT OF STYLE THIS SHOULD BE CONSIDERED IN YOUR PROJECT.
 - 3- AROMATIC CEDAR AND REDWOOD MAKE AN INEXPENSIVE MATERIAL CHOICE.
 - 4- KIDS LOVE SEEING THEIR NAME AND THEY LOVE TO 'OWN' STUFF. THUS I ROUTED MY GRANDAUGHTERS NAME ON THE ONE I BUILT.



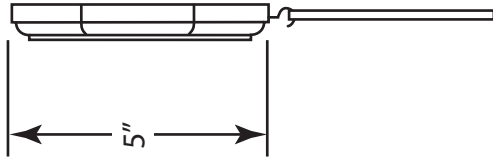
TROPHY SHELF
 DR. BY: K RALSTON
 2/14/21
 WOODWORKINGGIFTS.COM



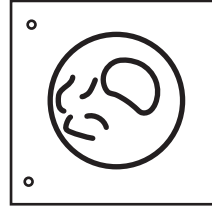
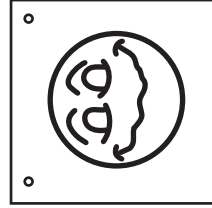
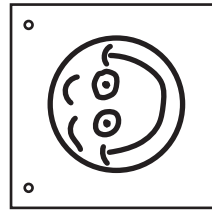
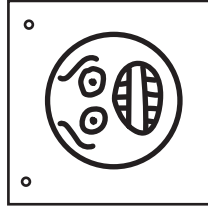
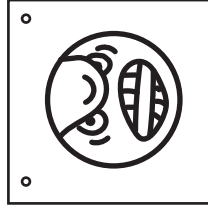
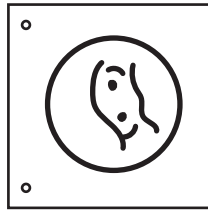
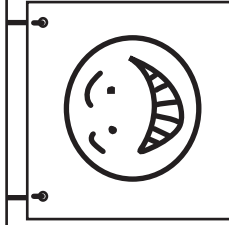
Do an image search in google for a whole world of possible image ideas.



PERSONALITY IMAGE



OPTIONAL MOOD SIGN



- NOTES:
- 1 - THIS IS A ROUTER PROJECT SHOWN WITH BEAD EDGE . OF COURSE THIS COULD BE AN OGEE, CHAMFER, COVE ETC..
 - 2 - USE ROUNDED BITS FOR LETTERING AND SELECTED DESIGN.
 - 3 - CHOSE A PERSONALITY IMAGE DESIGN THAT MATCHES THE PERSONALITY OF THE PERSON NAMED.
 - 4 - YOUNGER KIDS LOVE SEEING THEIR NAME.

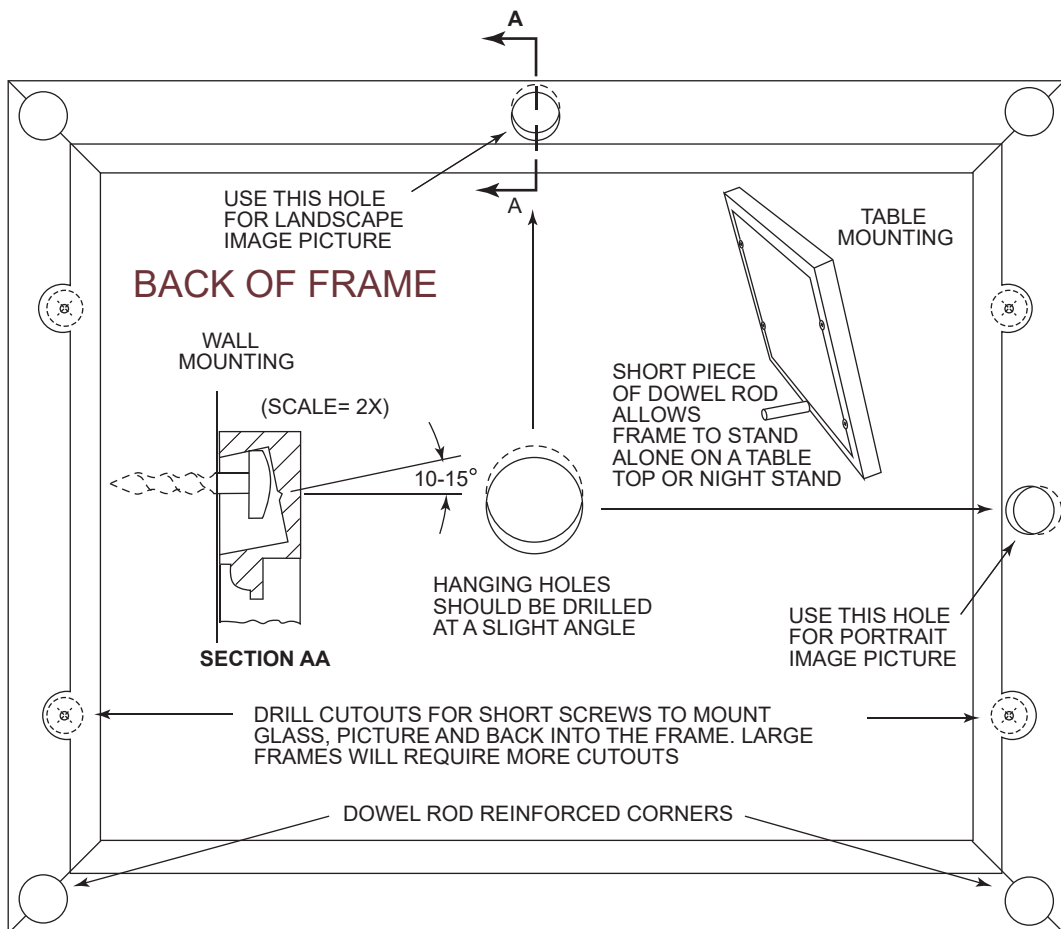
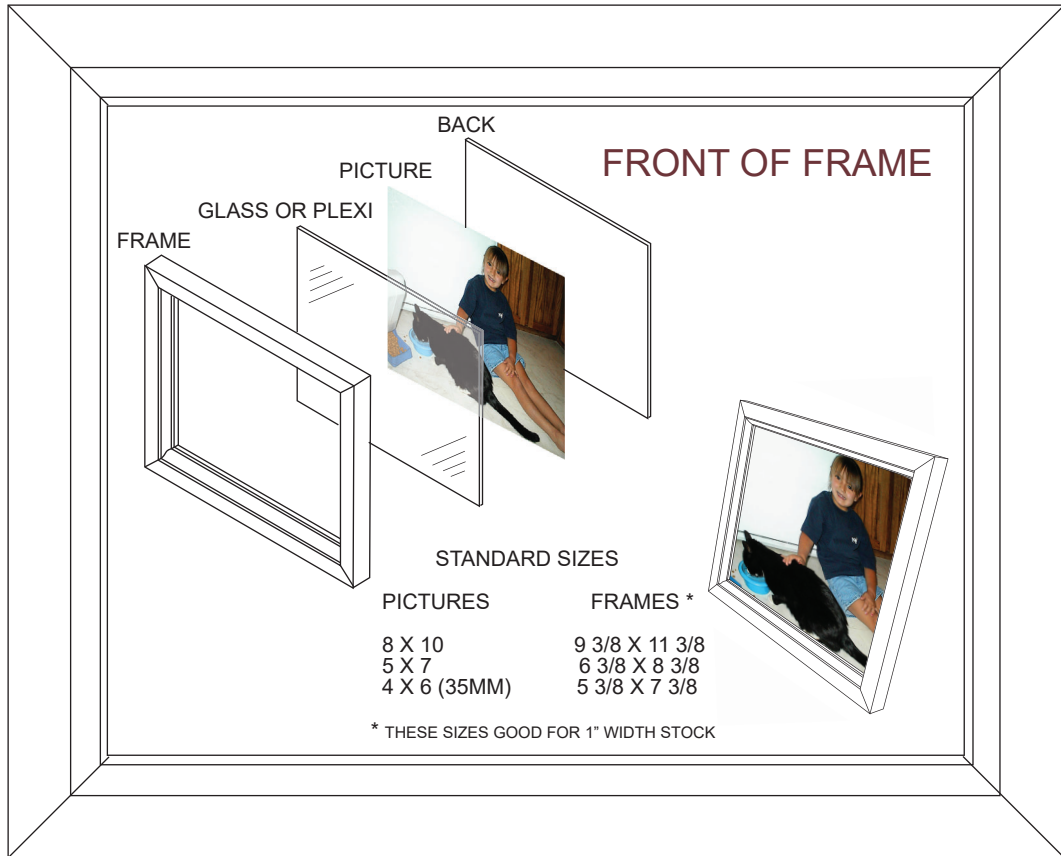
NAME PLAQUE
DR. BY: K RALSTON
2/17/21

WOODWORKINGGIFTS.COM

Many options available. Do an image search for 'stick faces'.



Woodworkinggifts.com



This page stolen directly from our "Picture and Story Frames" plans set.

More on this soon!



Artist Easel